

The MechoShade® Room Darkening and A/V System

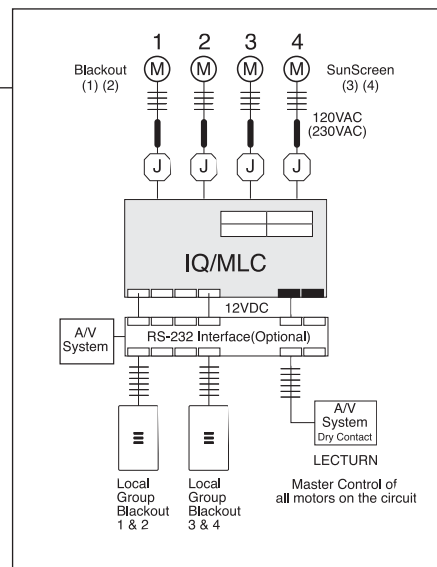
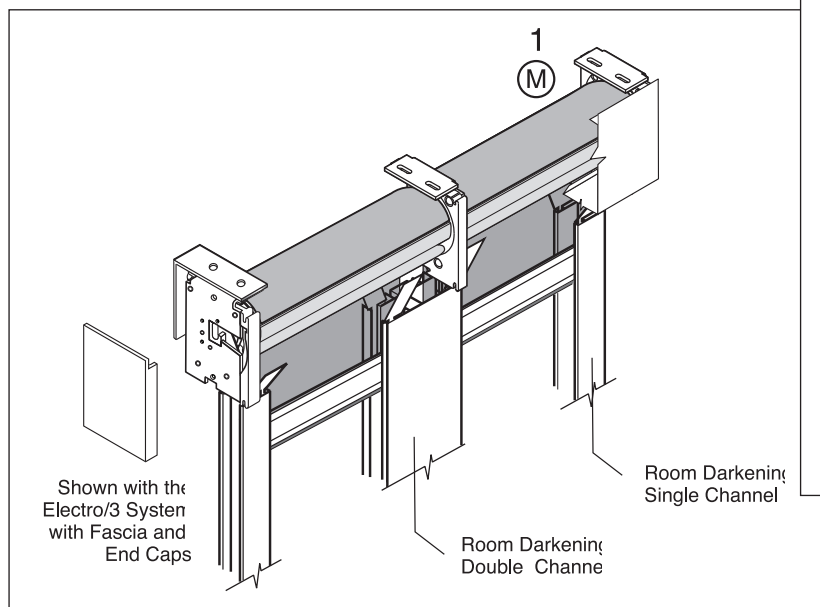


The MechoShade Room Darkening and Audio/Visual (A/V) System consists of MechoShades® or ElectroShades® in an integrated program of:

- ❑ Blackout shadecloth.
- ❑ Room darkening side and sill channels.
- ❑ Optional DoubleShade® brackets that allow for blackout and sun screens on one compact bracket.
- ❑ LightSeal™ hembar.
- ❑ Pockets/Recessed Mountings/Fascia.

Seamless Integration

A/V Low Voltage interface. ElectroShades can interface with all Lighting Controls, A/V Systems, Home Automation Systems and Third Party controllers.



MechoShade Systems, Inc.
42-03 35th Street, Long Island City, NY 11101
Telephone: 718-729-2020
Fax: 718-729-2941 / 800-899-8081

E-mail: info@mechoshade.com
Internet Web Site: www.mechoshade.com

7.01
MS2200-01/01/08



Room Darkening Side and Sill Channels

With Optional Accessories.

MECHOSHADE® ROOM DARKENING CHANNEL RECOMMENDATIONS (per shadeband)

1-5/16" (33mm) MECO SINGLE SIDE CHANNEL AT DRIVE OR IDLE-END BRACKETS:

- *With Battens:* Up to a max. width of 10ft. and/or a max. height of 8ft.
- *Without Battens:* Up to a max. width of 7ft. and/or a max. height of 8ft.
- Where conditions exceed the above use the 2-1/2" ElectroShade Single Channel.

2-5/8" (67mm) MECO DOUBLE CHANNEL USED WITH DRIVE OR IDLE-END BRACKETS: (BACK-TO-BACK) Ordered separately.

- *With Battens:* Up to a max. width of 10ft. and/or a max. height of 8ft.
- *Without Battens:* Up to a max. width of 7ft. and/or a max. height of 8ft.
- Where conditions exceed the above use the 5" ElectroShade Double Channel.

2-5/8" (67mm) MECO DOUBLE CHANNEL AT CENTER SUPPORT BRACKETS:

- *With Battens:* Up to a max. width of 10ft. and/or a max. height of 15ft.
- *Without Battens:* Up to a max. width of 7ft. and/or a max. height of 15ft.
- Where conditions exceed the above, use the 5" ElectroShade Double Channel.

ELECTROSHADE® ROOM DARKENING CHANNEL RECOMMENDATIONS (per shadeband)

2-1/2" (64mm) ELECTRO SINGLE SIDE CHANNEL AT DRIVE OR IDLE-END BRACKETS:

- *With or Without Battens:* Up to a max. width of 15ft. and/or max. height of 21ft.
- Where conditions exceed the above, call the factory.

5" ELECTRO DOUBLE CHANNEL USED WITH DRIVE OR IDLE-END BRACKETS: (BACK-TO-BACK) Ordered separately.

- *With or Without Battens:* Up to a max. width of 15ft. and/or max. height of 21ft.
- Where conditions exceed the above, call the factory.

2-5/8" (67mm) ELECTRO DOUBLE CHANNEL AT CENTER SUPPORT BRACKETS:

- *With Battens:* Up to a max. width of 15ft. and/or max. height of 21ft.
- *Without Battens:* Up to a max. width of 10ft. and/or a max. height of 15ft.
- Where conditions exceed the above, call the factory.

5" (127mm) ELECTRO DOUBLE CHANNEL AT CENTER SUPPORT BRACKETS.

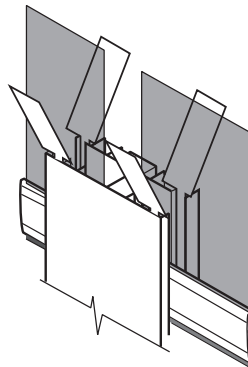
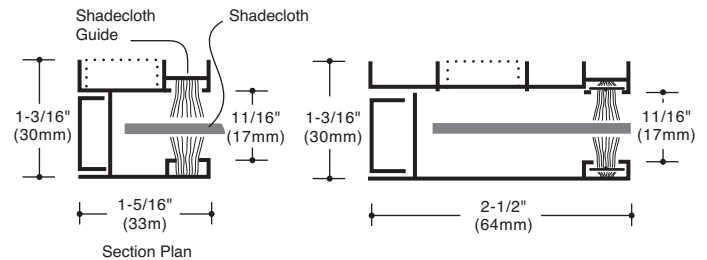
- *With or Without Battens:* Up to a max. width of 15ft. and/or max. height of 21ft.
- Where conditions exceed the above, call the factory.

Note: Overall band limitations are either 15ft. in width or 21ft. in height or the maximum sizes in the Fabricated Shade Price Book, whichever is less. When evaluating a multibanded shade, the widest shade band shall dictate the channels for all the shades. Sufficient Room Return Air is required inside the line of shades to eliminate changes in air pressure when doors are opened or closed. Battens may be needed in order to retain shades in the side channel. Side channels have not been designed to resist the increased negative and/or positive air pressure (example: when doors are opened or closed). Channels are assumed installed vertical position (90° to horizontal).



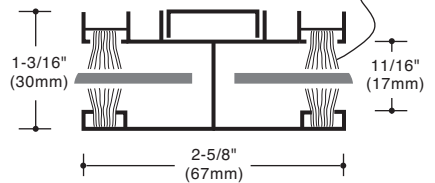
MechoShade 1-5/16" (33mm) Single Channel

MechoShade / ElectroShade 2-1/2" (64mm) Single Channel

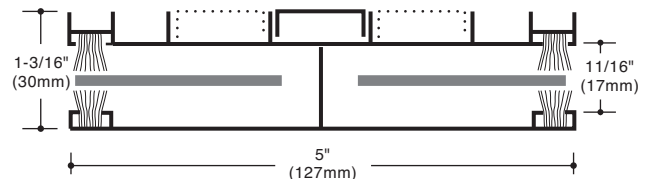


Double Channel, with Guides, for Applications Between Shades

MechoShade 2-5/8" (67mm) Double Channel



MechoShade / ElectroShade 5" (127mm) Double Channel



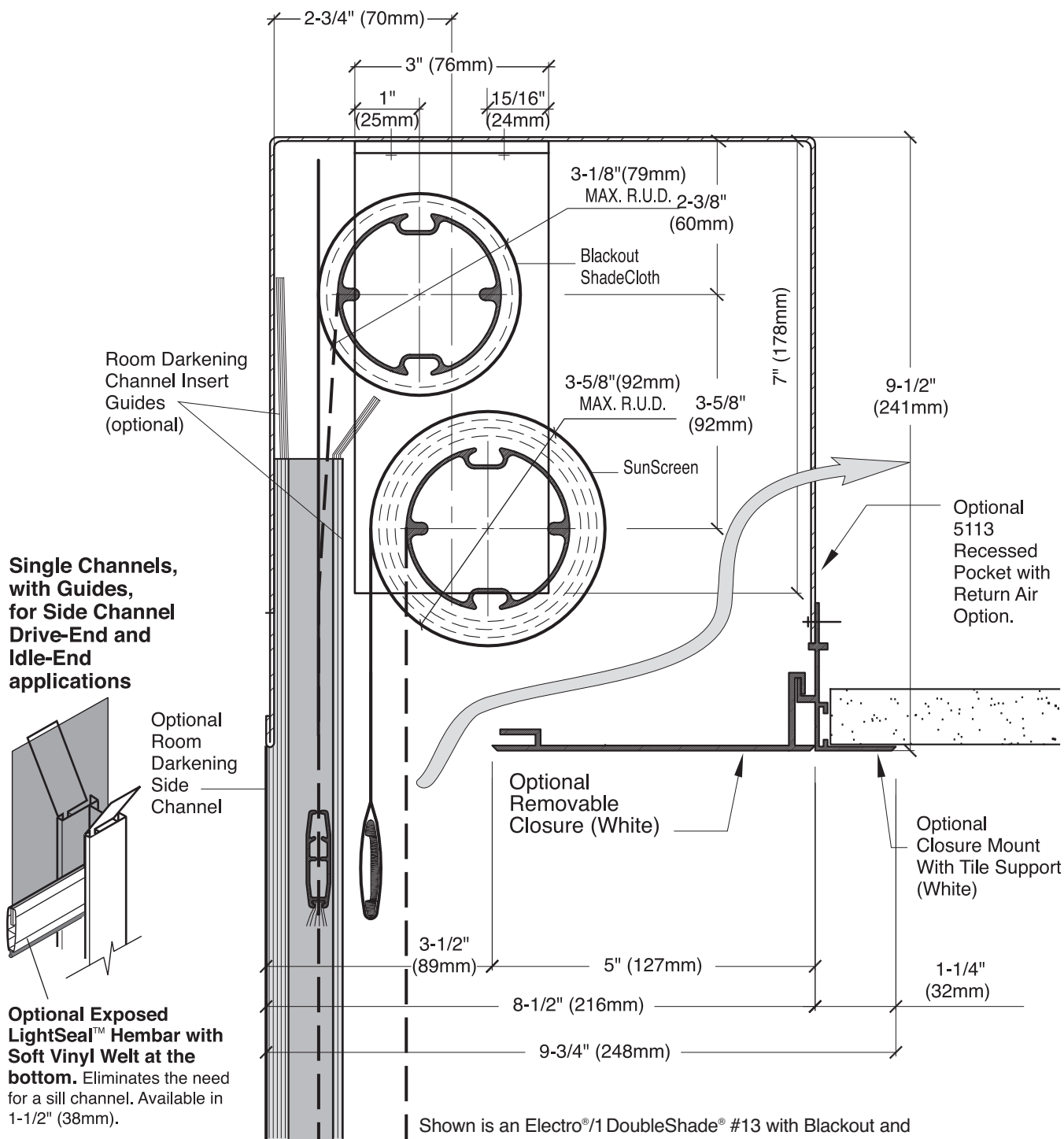
MechoShade Systems, Inc.
42-03 35th Street, Long Island City, NY 11101
Telephone: 718-729-2020
Fax: 718-729-2941 / 800-899-8081

E-mail: info@mechoshade.com
Internet Web Site: www.mechoshade.com

7.02
MS2200-01/01/08



Typical DoubleShade® Room Darkening Installation



Shown is an Electro®/1 DoubleShade® #13 with Blackout and SunScreens on a single bracket, Room Darkening Channels and a 5113 Recessed Pocket with Closure and optional Return Air openings, Closure Mount and Tile Support which can then be connected to a wide variety of control options for multi-level control and A/V integration.

MechoShade Systems, Inc.
 42-03 35th Street, Long Island City, NY 11101
 Telephone: 718-729-2020
 Fax: 718-729-2941 / 800-899-8081

E-mail: info@mechoshade.com
 Internet Web Site: <http://www.mechoshade.com>

7.03
 MS2200-01/01/08

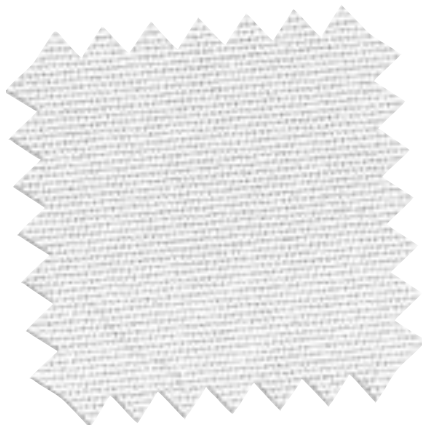


Equinox™ Blackout ShadeCloth

Introducing Equinox™, MechoShade's elegant, economical blackout shadecloth.



Equinox™ is a decorative woven blackout fabric with a nicer hand. Equinox is an opaque woven fiberglass blackout shadecloth with an acrylics backing and an aqueous anti-static coating. Equinox is ideal for audio/visual and privacy applications where style and elegance desired. It's 100 inch (254cm) width gives designers more flexibility by reducing the need to railroad the fabric and add seams and battens.



Specifications:

Shadecloth:	100% Fiberglass
Backing:	100% Acrylic
Coating:	Aqueous solution
Thickness:	0.16 in. (0.47mm) / ±0.05
Raw fabric weight:	145g / ±5m2
Coating weight:	285g / ±15 m2
Fabric final weight:	430g / ±20 m2
Light fastness:	UNI 7632, White / colors – 8 of the blue scale
Dimensional stability:	Very good
Behavior:	Twisting: <10° Curling: <10mm
Flame resistance:	Flame retardant, all colors
Roll size:	100 inches wide x 32 yards long ±5%
Maintenance:	Clean with damp cloth

MechoShade Systems, Inc.
42-03 35th Street, Long Island City, NY 11101
Telephone: 718-729-2020
Fax: 718-729-2941 / 800-899-8081

E-mail: info@mechoshade.com
Internet Web Site: <http://www.mechoshade.com>

7.04
MS2200-01/01/08



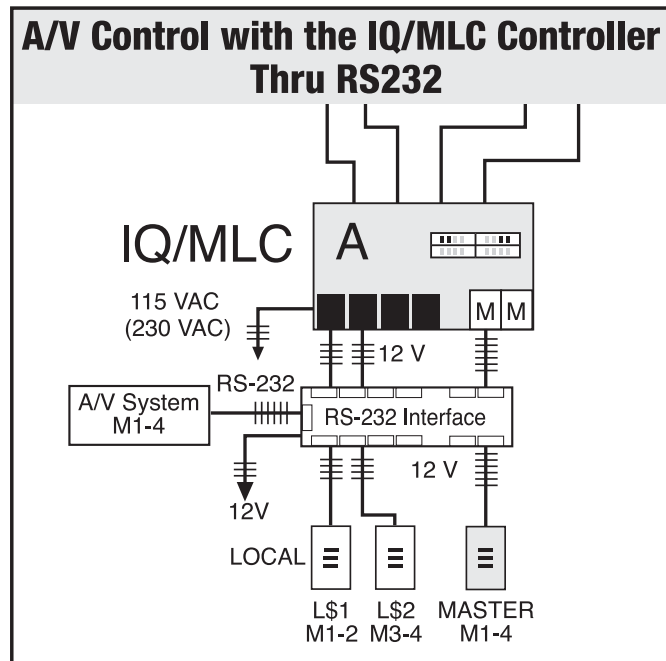
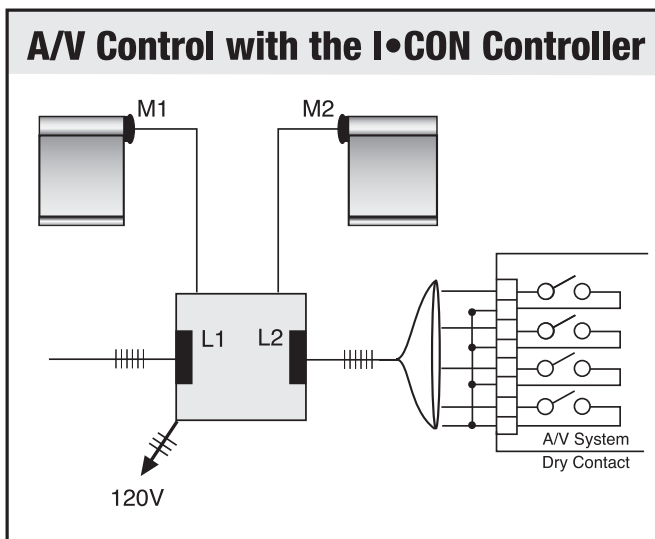
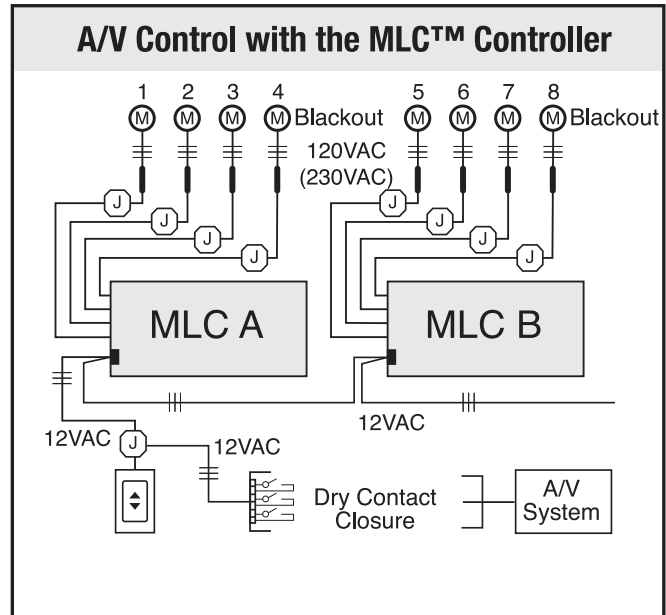
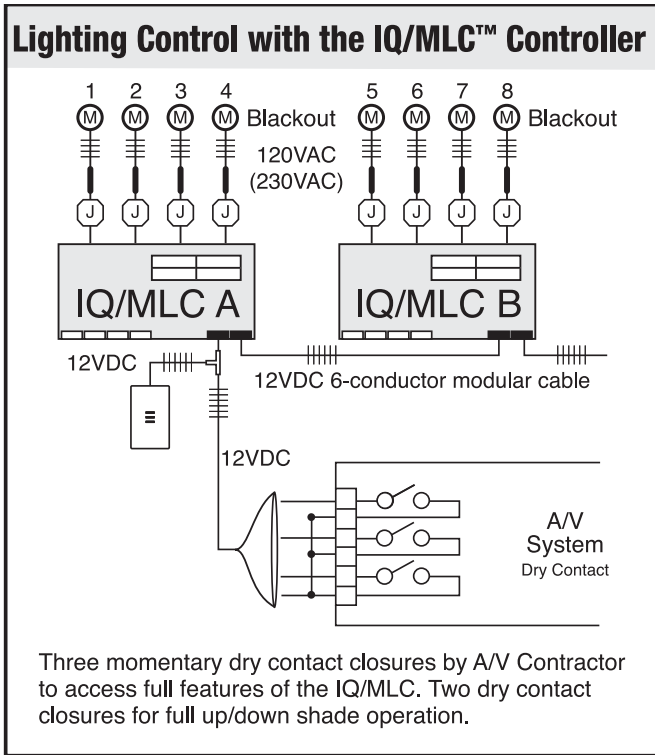
ElectroShades® and Lighting or A/V Integration

Low voltage interface for Lighting and A/V applications

Manual and A/V Control:

The A/V contractor provides 2 pole dry contact closures to control the ElectroShade® system. MechoShade® fully warrants ElectroShade controllers and motors as an

integrated system. ElectroShades and controllers are tested and approved by ETL as a complete system.



For the proper dry contact pin positions for any of the above systems see the ElectroShade® Low Voltage Interface page in the Controls Section.

MechoShade Systems, Inc.
42-03 35th Street, Long Island City, NY 11101
Telephone: 718-729-2020
Fax: 718-729-2941 / 800-899-8081

E-mail: info@mechoshade.com
Internet Web Site: <http://www.mechoshade.com>

7.05
MS2200-01/01/08



NOTES

